

*Royal  
Tents & Shades*

P.O. Box: 15263 Tel : +971 6 7452546 Fax : +971 6 7452547 Ajman -UAE  
Email: [muscateventz@yahoo.com](mailto:muscateventz@yahoo.com) , [rtns@emirates.net.ae](mailto:rtns@emirates.net.ae)  
Web : [www.royalfortents.com](http://www.royalfortents.com)

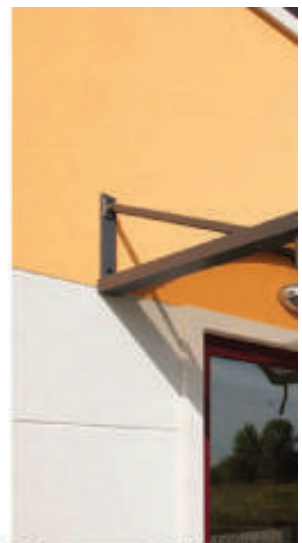


## Space Frame

- Arch type
- Simply Supported
- Space Frame with Glass
- Space Frame with Fabric

## Awnings

- Retractable
- Motorized
- Portable
- Stationary



## Tensile Structure

- Sail Structure
- Entrance Canopy
- School Courtyard Shade
- Large Span Shade



## Tents

- Ramadan Tents
- Wedding Tents
- Rental Tents
- Party Tents



## Car Parking Shades

- Cantilever Type
- Millanium Type
- Down Support Type
- Conical Types



## Technology Free to Your Imagination

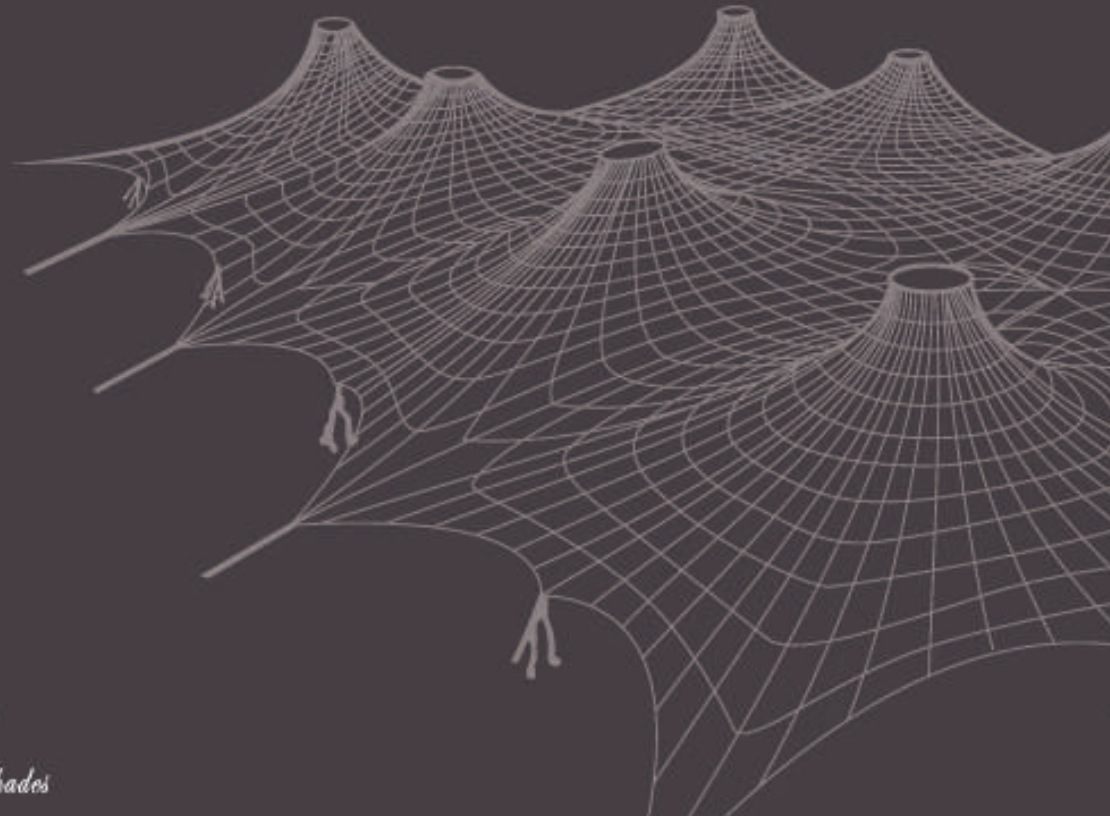
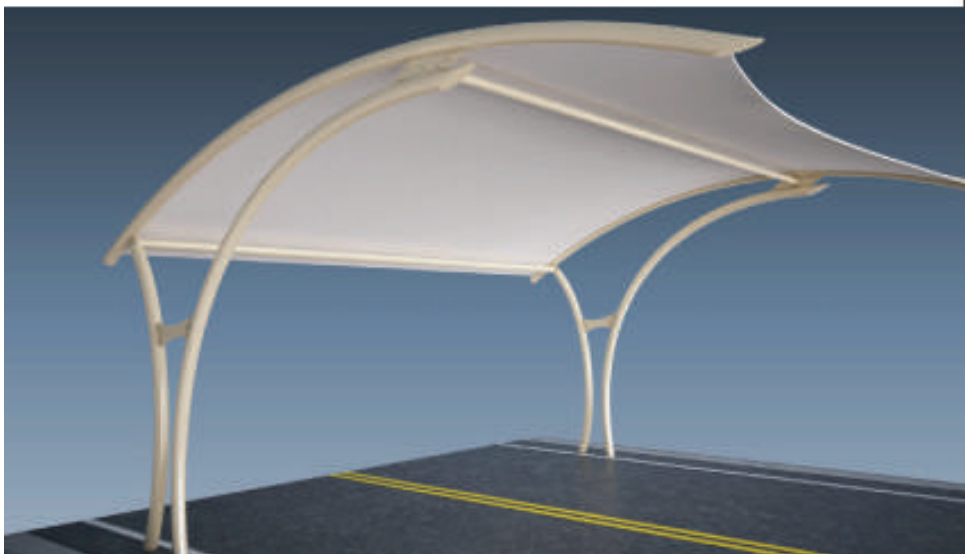
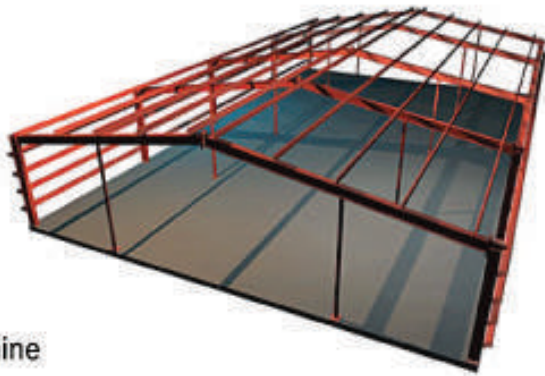
ROYAL TENTS & SHADES is continuously serving middle east nations since last 30 years with its products focusing on traditional heritage of Gulf.

ROYAL TENTS & SHADES specializes in projects of tensile fabric structures. We intent to provide the market with high quality product and service, with highly skilled and experianced technical force.

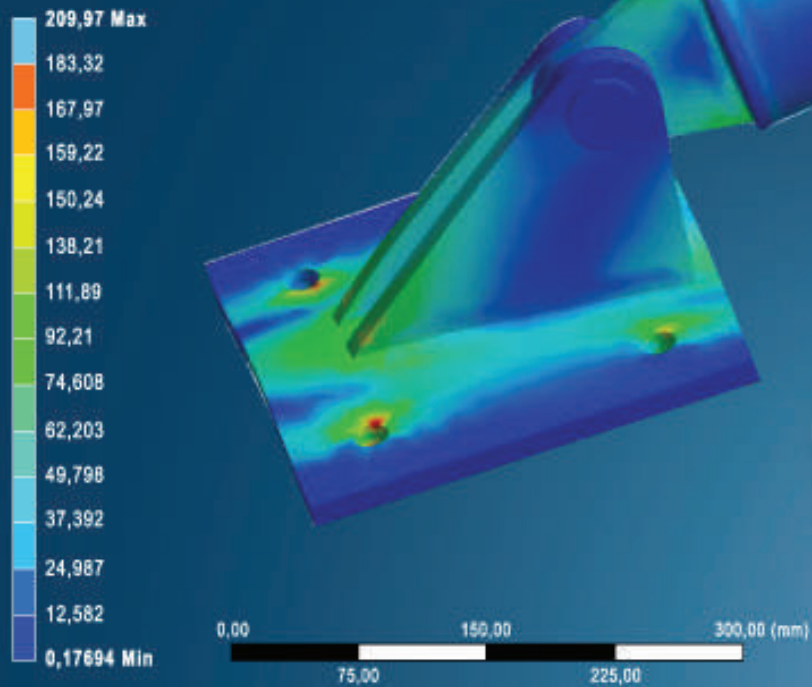
The people of ROYAL TENT AND SHADES have wide range of eperience in design,manufacturing and instalation of tensile structure in UAE and neighbouring countries( Saudi,Qatar, Kuwait,Oman,Bahrain.

### Industrial Warehouse

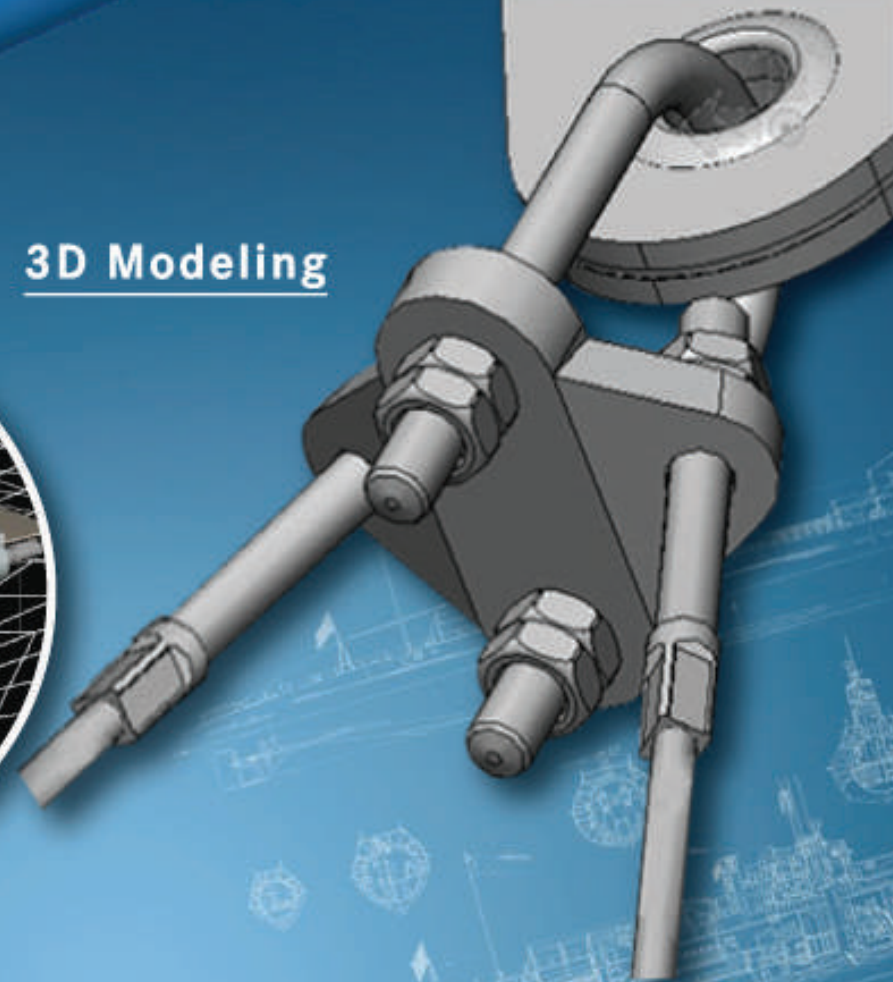
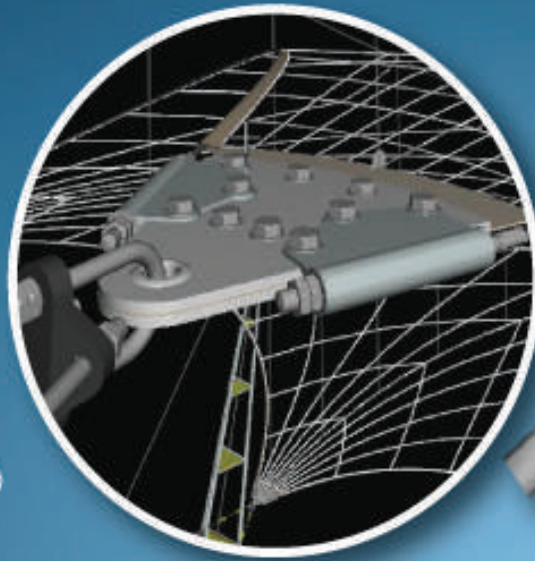
- Beam Structure
- Portal Beam
- Storage Warehouse
- Sandwich Panel  
Structure with Mezannine



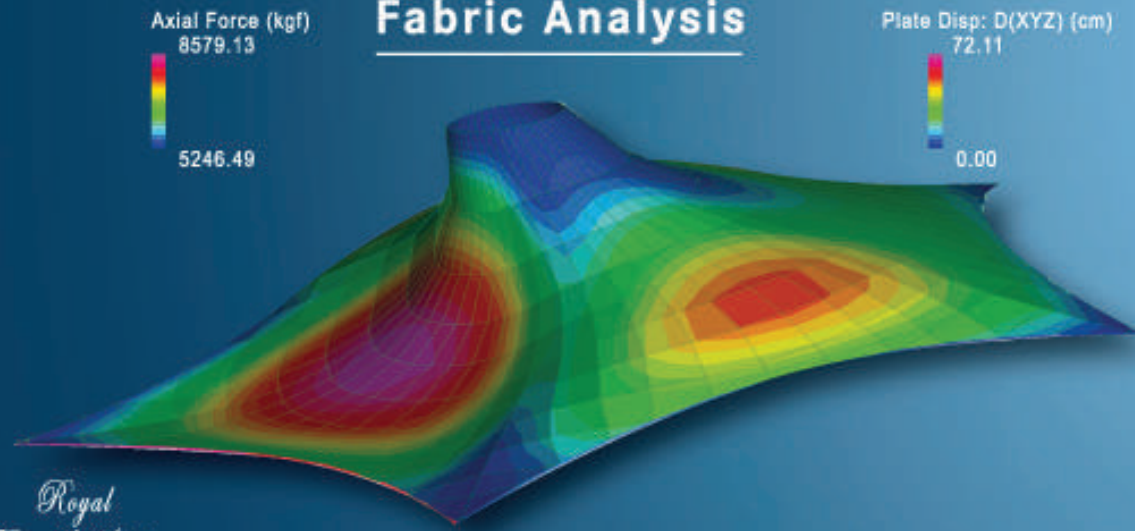
# Load Analysis



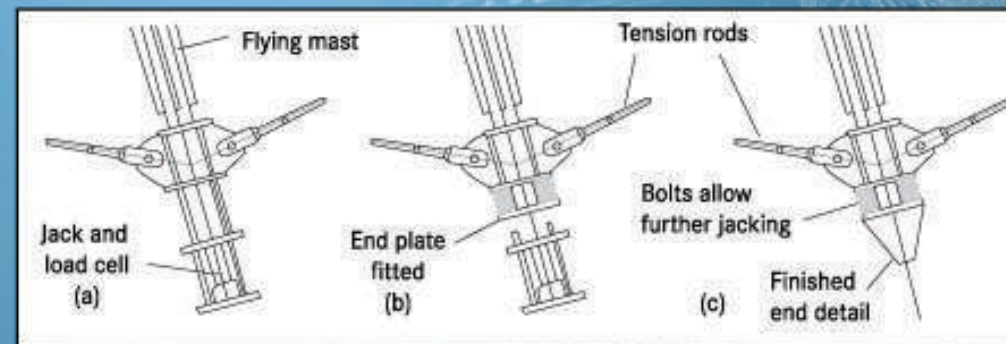
# 3D Modeling

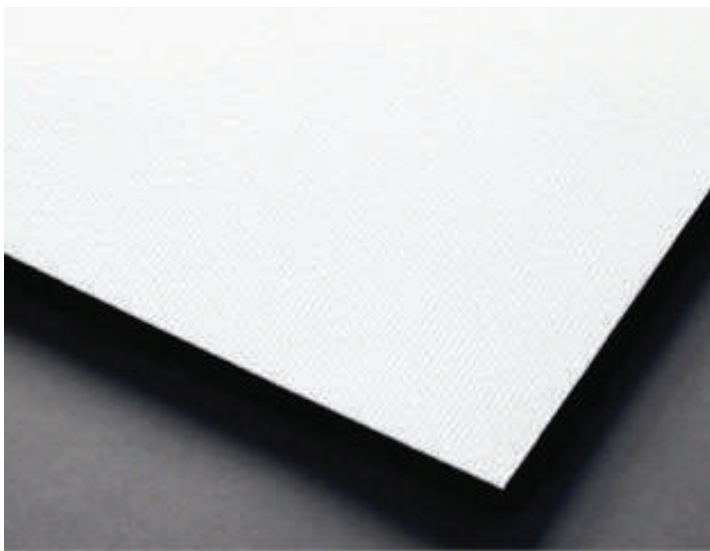


# Fabric Analysis



# Engineering Drawing





- Nominal Weight (600-1200)gsm
- Tensile Strength 4300/4000 N/50mm
- Tear Strength 500/500 N
- Temperature Range -40 C° to +70° C
- Finish Both sides lacquered, high gloss
- Burning Behaviour ISO 3795 <100 mm/min.
- Warranty 10 to 15 years

- Water Proof ,Dust Proof , Fire Resistant ,Durable

## PVC



Long Life



Tear Resistance



Dimensional stability



UV Resistant



Won't Sag



Easy Maintenance



Flexibility



Flame Retardant



Thermal Comfort



Graphic Customization



Creative Freedom



100% Recyclable Textile



- Nominal Weight 340 ± 20 gsm
- Tensile Strength 635/2494 N/50mm
- Tear Strength 187/359 N
- Finish Monofilament Thread
- Temperature Range -30 C° to + 75° C
- Warranty 8 to 12 years

- Sunshade ,Dust Proof , Fire Resistant ,Durable

## HDPE FABRIC



## PTFE

- Nominal Weight (500-1000)gsm
- Tensile Strength 12400/10000 N/50mm
- Tear Strength 4000/4000 N
- Finish TiO<sub>2</sub> Coating
- Temperature Range -73 C° to +232° C
- Warranty 15 to 30 years

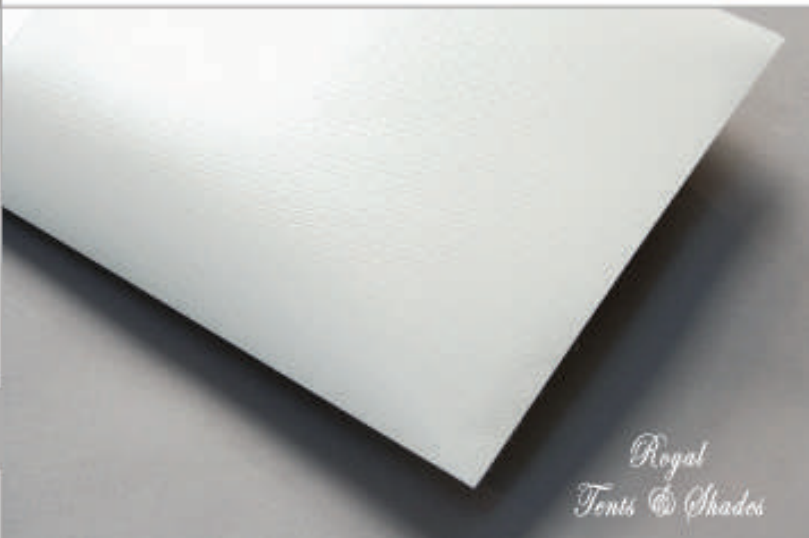
- Water Proof ,Dust Proof , Fire Resistant ,Durable

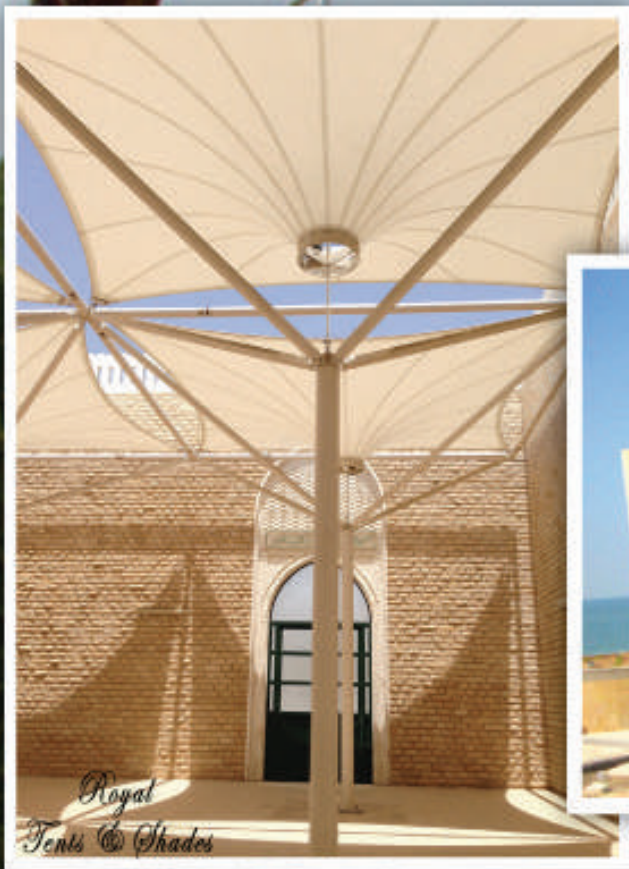


- Nominal Weight (600-1200)
- Tensile Strength 5000/4500 N/50mm
- Tear Strength 500/500 N
- Temperature Range -40° C to +70° C
- Warranty 10 to 20 years

- Water Proof ,Dust Proof , Fire Resistant ,Durable

## PVC/ PVDF COATED





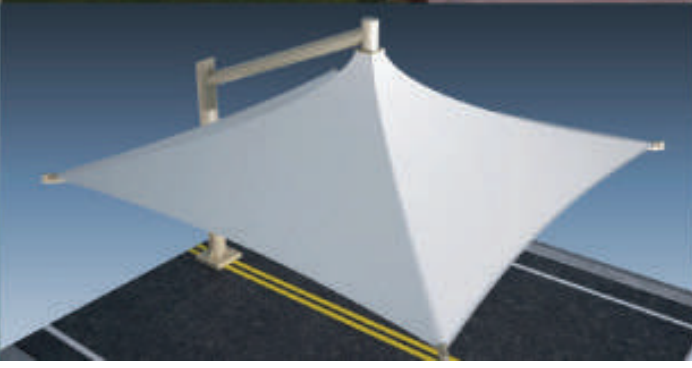
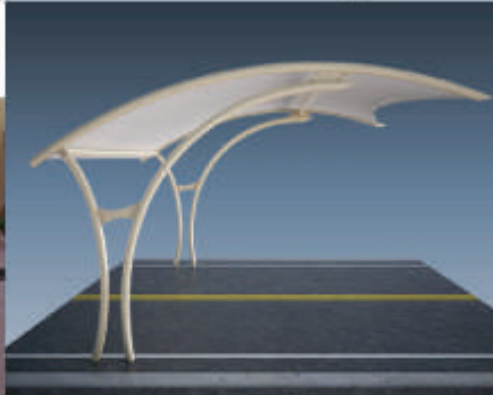
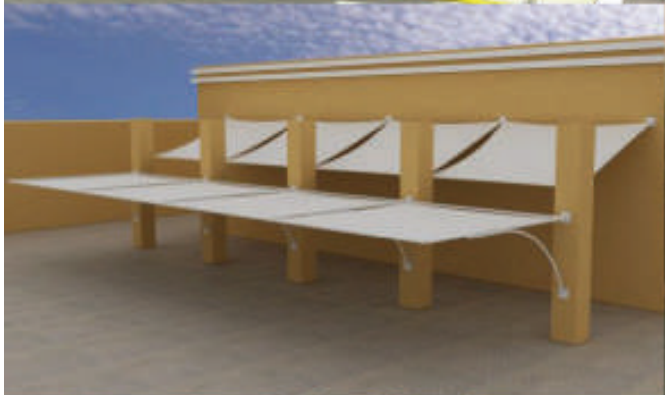
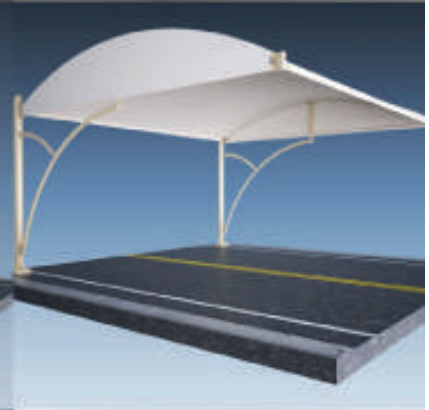
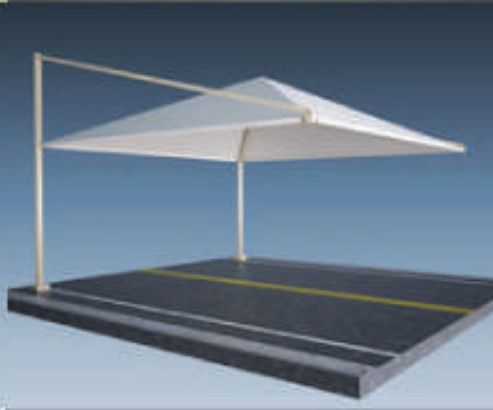
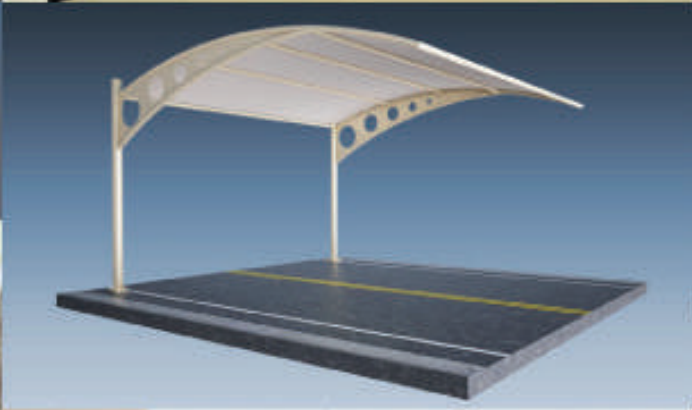
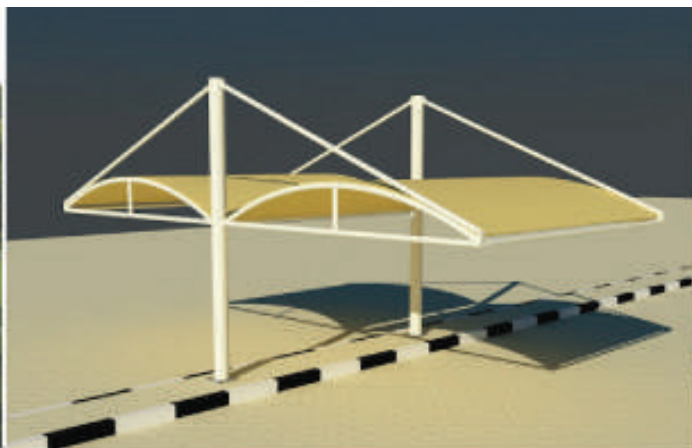


Royal  
Fents & Shades









Royal  
Tents & Shades

## OUR CLIENTS



United Arab Emirates  
Ministry of Public Works



مؤسسة زايد العليا  
للرعاية الإنسانية ونوع الاحتياجات الخاصة  
Zayed Higher Organization  
for Humanitarian Care & Special Needs



Obeni Hotels & Resorts

SHANGRI-LA  
HOTELS and RESORTS



موانئ أبوظبي  
ABU DHABI PORTS

مساندة  
Musanada

DAMAC

Fairmont  
HOTELS & RESORTS



DP  
DUBAI PROPERTIES

## CONSULTANTS



mimar

AECOM

ena EHAF  
CONSULTING ENGINEERS

PARSONS



التراث  
للاستشارات الهندسية  
alturath  
ENGINEERING  
CONSULTANTS



National Engineering Bureau  
architectural & engineering consultants

ATKINS



ديار  
DEYAAR

cracknell

Dewan  
Architects+  
Engineers

# PRODUCTS



TENTSILE STRUCTURES



TENTS



CAR PARKING



WAREHOUSE



PERGOLA



HAND RAILING



FENCING



DECKING



## Royal Tents and Shades

Contact:

+971 50 2018500 , +971 50 7700680

+971 6 7452546 +971 6 7452547

15263

@ rtns@emirates.net.ae / muscateventz@yahoo.com

www.royalfortents.com / royalpergolas.com

Address : Villa Number 35 Shehra-al-Badar, Rumaila 3, Ajman, United Arab Emirate

